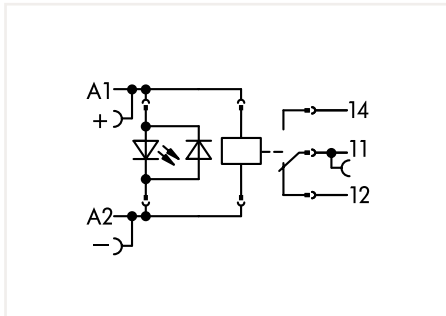
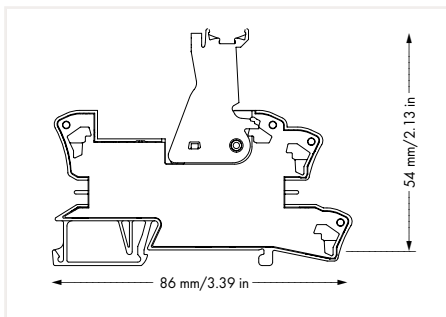


Relay Module 788 Series



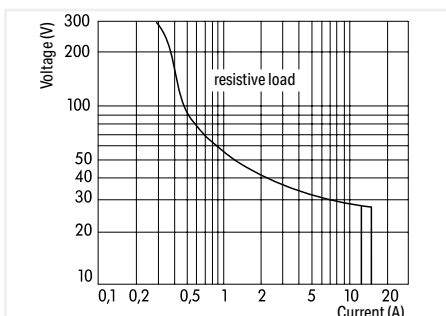
Relay Module; 1 changeover contact; Limiting continuous current: 16 A; with gold contacts; Status indicator: red; 15 mm wide

U_N	I_N	Item No.	Pack. Unit
24 VDC	19 mA	788-404	20



Note:

- Reinforced insulation between coil and contacts
- A separator plate (e.g., 209-191) must be used for voltages greater than 250 V between adjacent relay modules and for compliance with the reinforced insulation requirements.
- To prevent damaging the gold layer, 30 VDC switching voltages and 50 mA currents must not be exceeded. Higher switching power eventually evaporates the gold layer. The resulting deposits in the housing may reduce service life.



DC Load Limit Curve

Control Circuit

Input voltage range	$\pm 10\%$
---------------------	------------

Load Circuit

Number of changeover/switchover contacts	1
Contact material	AgNi + Au
Limiting continuous current	16 A
Switching voltage (max.)	250 VAC
Switching power (resistive) max.	4000 VA (AC); DC see load limit curve
Switching capacity	AC 15: 6 A / 250 VAC; DC 13: 2 A / 24 VDC
Recommended minimum load	5 V / 2 mA / 50 mW
Pull-in time (typ.)	7 ms
Drop-out time (typ.)	3 ms
Bounce time (typ.)	6 ms
Electrical life (NO; resistive load; 23 °C)	30 x 10 ³ switching operations
Mechanical life	30 x 10 ⁶ switching operations
Switching load with/without load (max.)	10 min ⁻¹ / 1200 min ⁻¹

Signaling

Status indicator	Red LED
------------------	---------

Safety and Protection

Rated voltage	250 V
Rated surge voltage	4 kV
Pollution degree	3
Dielectric strength, control/load circuit (AC, 1 min)	5 kV _{rms}
Dielectric strength, open contact (AC, 1 min)	1 kV _{rms}
Protection type	IP20

Connection Data

Connection technology	Push-in CAGE CLAMP®
Solid conductor	0.34 ... 2.5 mm ² / 22 ... 14 AWG
Fine-stranded conductor	0.34 ... 2.5 mm ² / 22 ... 14 AWG
Strip length	9 ... 10 mm / 0.35 ... 0.39 inch

Physical Data

Width	15 mm / 0.591 inch
Height from upper-edge of DIN-rail	54 mm / 2.126 inch
Depth	86 mm / 3.386 inch

Mechanical Data

Mounting type	DIN-35 rail
---------------	-------------

Material Data

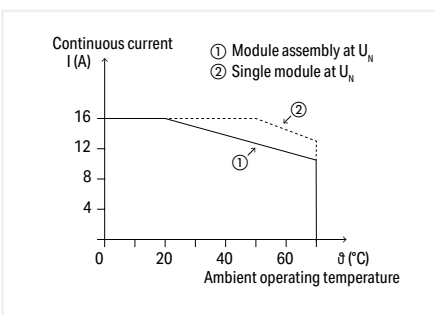
Weight	46.1 g
--------	--------

Environmental Requirements

Surrounding air temperature (operation at U_N)	-40 ... +70 °C
Surrounding air temperature (storage)	-40 ... +70 °C
Processing temperature	-25 ... +50 °C

Standards and Specifications

Standards/specifications	EN 61010-2-201; EN 61810-1; EN 61373; UL 508
--------------------------	--



Current-Carrying Capacity Curve